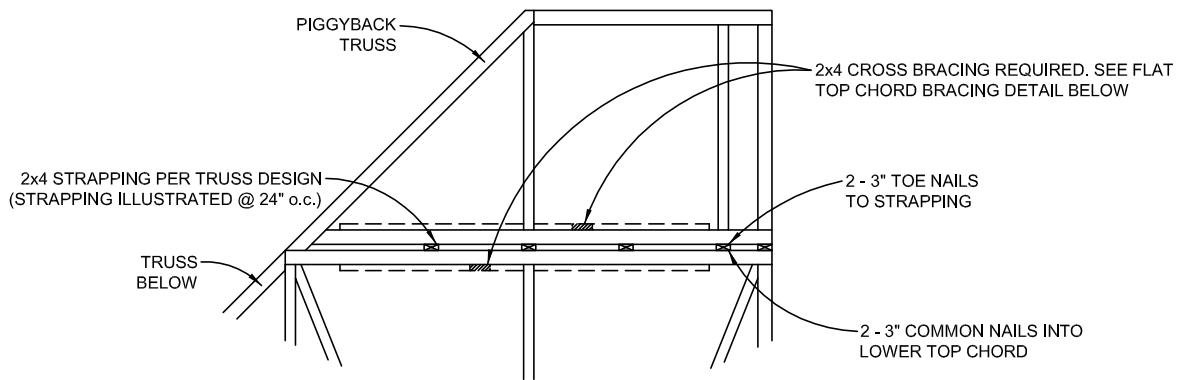


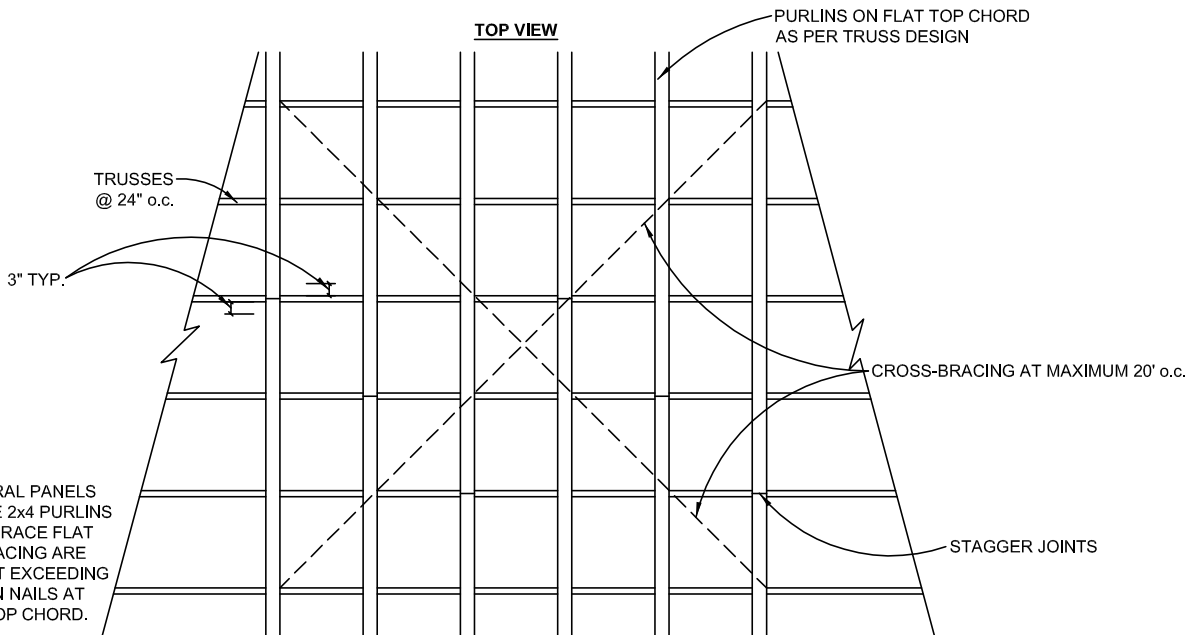
**PIGGYBACK FRAMING DETAIL A**

NOT TO SCALE



**PIGGYBACK FRAMING DETAIL B**

NOT TO SCALE



**FLAT TOP CHORD BRACING DETAIL**

NOT TO SCALE

**NOTE:** IN LIEU OF STRUCTURAL PANELS (PLYWOOD SHEATHING) USE 2x4 PURLINS AS PER TRUSS DESIGN TO BRACE FLAT TOP CHORD. 2x4 CROSS BRACING ARE REQUIRED AT INTERVAL NOT EXCEEDING 20'-0" o.c. USE 2 - 3" COMMON NAILS AT EACH CROSSING OF FLAT TOP CHORD.

**epic truss systems ltd.**

890 RIVERSIDE ROAD  
ABBOTSFORD, BC V2S 7P6  
Phone: (604) 850-3522  
Fax: (604) 850-3533



**epic truss squamish ltd.**

1126 RESOLUTION WAY  
SQUAMISH, BC V8B 0L3  
Phone: (604) 892-3700  
Fax: (604) 892-3715

Website: [www.epictruss.com](http://www.epictruss.com)