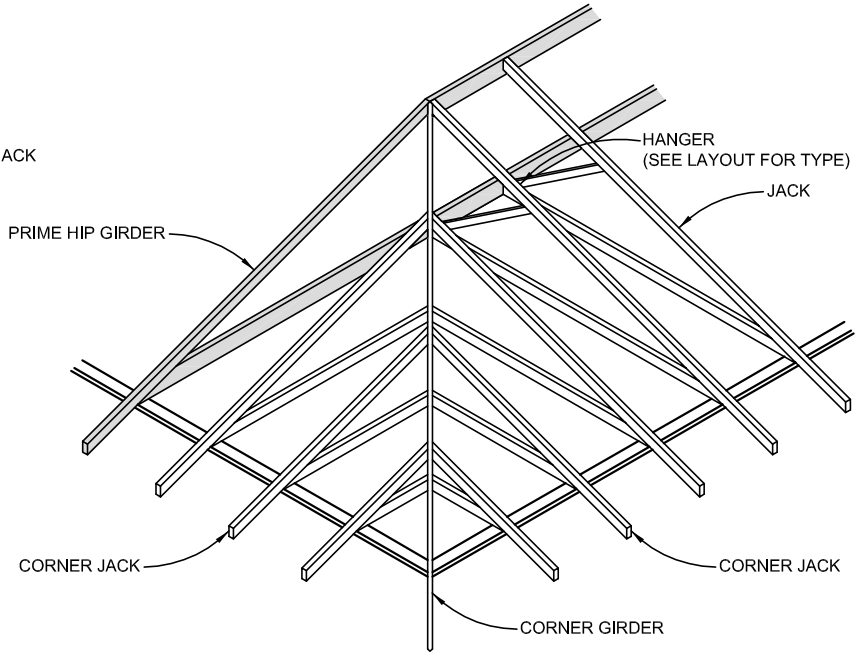
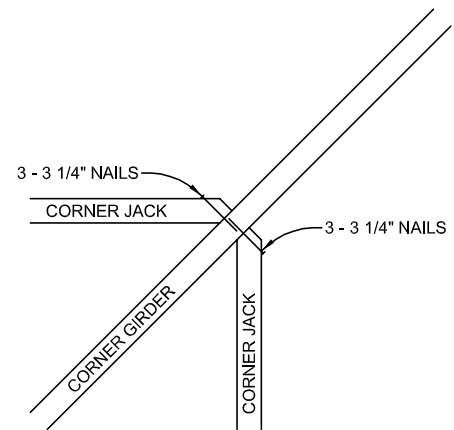
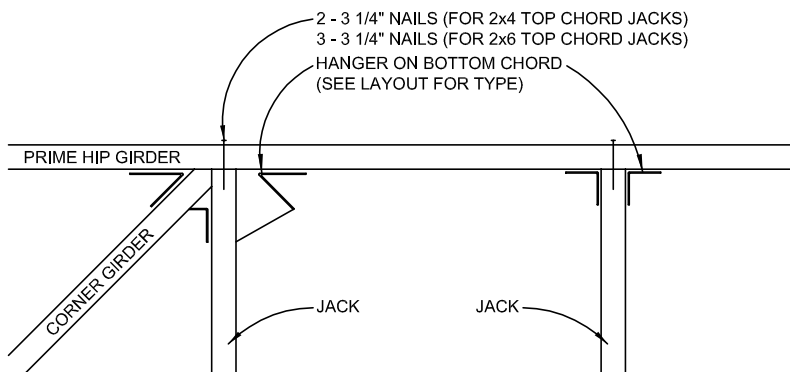


PLAN VIEW



NAILING REQUIREMENTS

THE FOLLOWING DIAGRAMS SHOW THE NAILING REQUIREMENTS FOR THE CORNER SYSTEMS SUPPLIED.



CORNER GIRDER SYSTEM FRAMING (STEPDOWN)

NOT TO SCALE

epic truss systems ltd.

890 RIVERSIDE ROAD
ABBOTSFORD, BC V2S 7P6
Phone: (604) 850-3522
Fax: (604) 850-3533



epic truss squamish ltd.

1126 RESOLUTION WAY
SQUAMISH, BC V8B 0L3
Phone: (604) 892-3700
Fax: (604) 892-3715

Website: www.epictruss.com