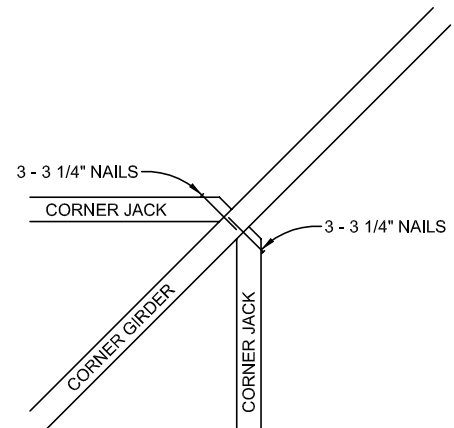
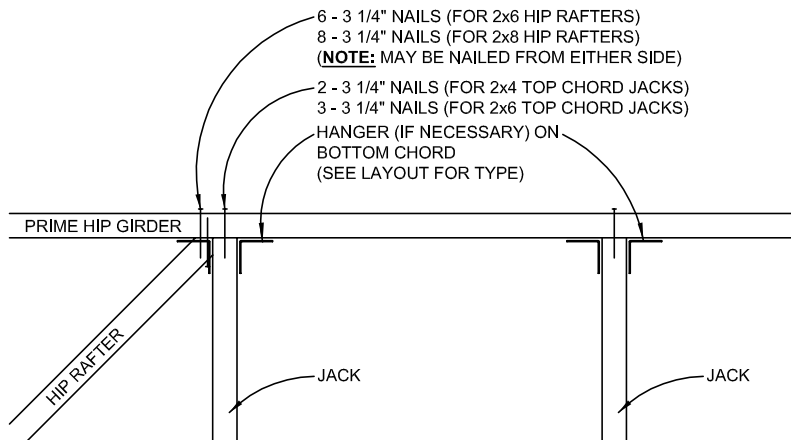


**NAILING REQUIREMENTS**

THE FOLLOWING DIAGRAMS SHOW THE NAILING REQUIREMENTS FOR THE CORNER SYSTEMS SUPPLIED.



**TYPICAL CORNER SYSTEM FRAMING (MIDWEST)**

NOT TO SCALE

**epic truss systems Ltd.**

890 RIVERSIDE ROAD  
 ABBOTSFORD, BC V2S 7P6  
 Phone: (604) 850-3522  
 Fax: (604) 850-3533



**epic truss squamish Ltd.**

1126 RESOLUTION WAY  
 SQUAMISH, BC V8B 0L3  
 Phone: (604) 892-3700  
 Fax: (604) 892-3715

Website: [www.epictruss.com](http://www.epictruss.com)