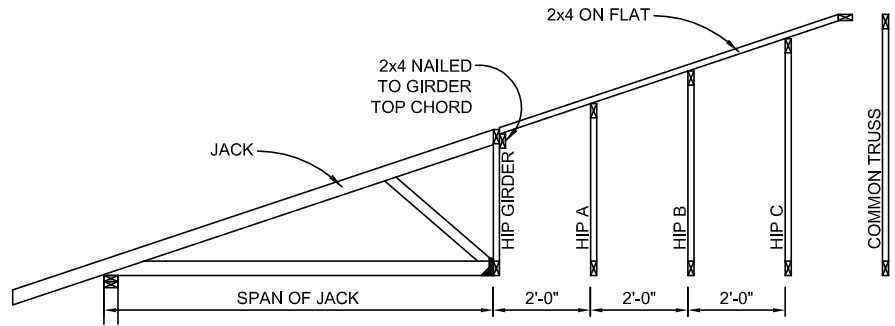
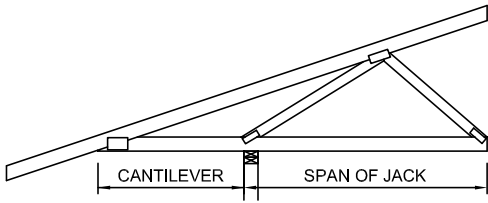
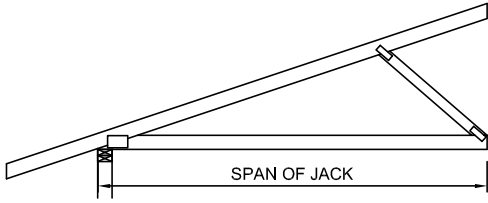




PLACEMENT

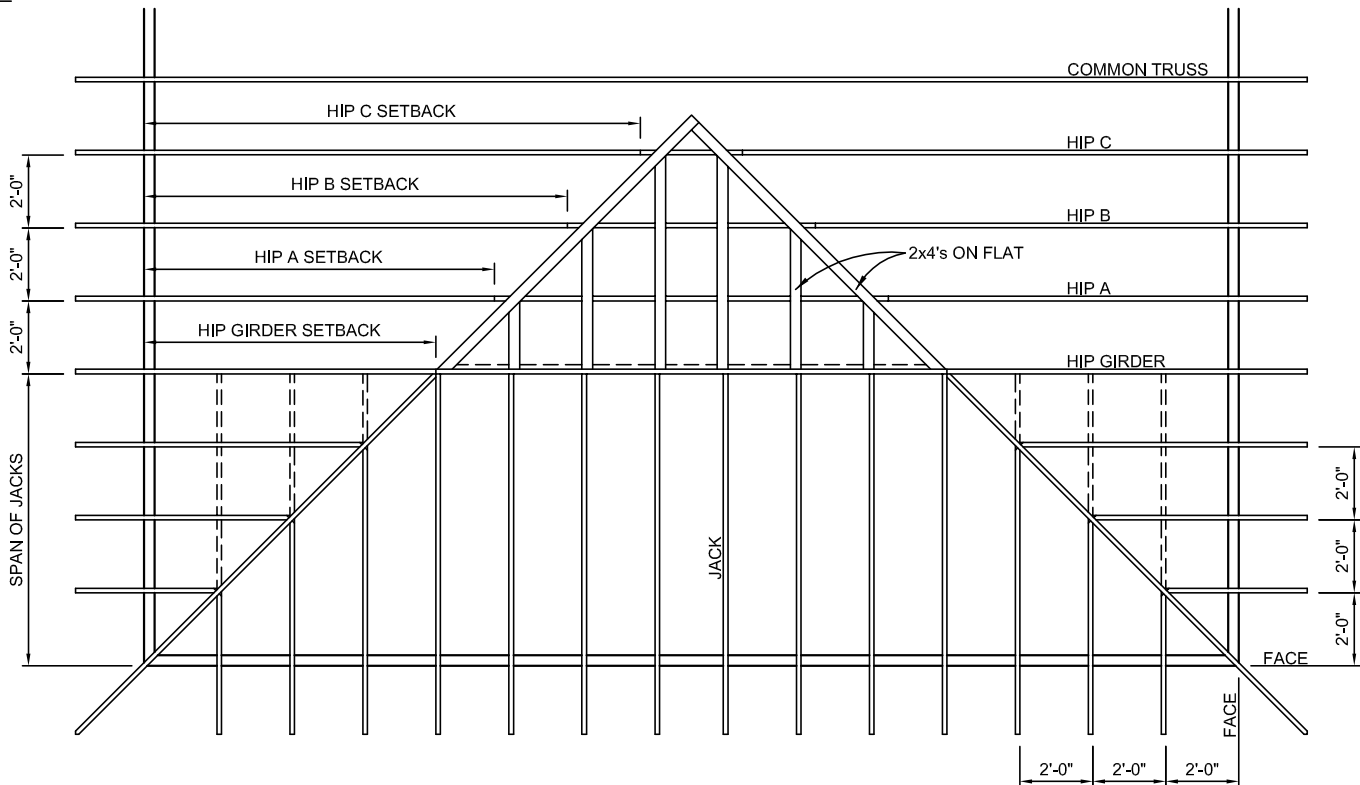
THE HIP GIRDER IS TO BE SET BACK FROM THE WALL THE DISTANCE EQUAL TO THE SPAN OF CORRESPONDING JACK TRUSSES. (THE SPAN OF THE JACK TRUSSES IS CONSIDERED TO BE THE OUT TO OUT DISTANCE OF THE BEARING LOCATIONS.) AFTER THE HIP GIRDER IS PLACED AT THE CORRECT DISTANCE, THE HIP TRUSSES CAN BE PLACED. THEY ARE SIMPLY PLACED @ 24" o.c. STARTING FROM THE HIP GIRDER. (U.N.O.)



2x4 ON FLAT

ONCE THE HIP SYSTEM HAS BEEN INSTALLED AND BRACED, 2x4's ON FLAT CAN BE INSTALLED ON TOP. IT IS BEST TO PLACE THE 2x4's ALONG THE HIP LINES FIRST. THE REST OF THE 2x4's SHOULD BE PLACED PARALLEL TO THE JACKS AND SPACED AT 24" o.c. (IT WILL BE EASIER TO STRAP [OR SHEATH] THE ROOF IF THE 2x4's ARE LINED UP WITH THE JACKS AS WELL.)

NOTE: IN ORDER TO PROVIDE AN ADEQUATE CONNECTION WE RECOMMEND NAILING A 2x4 AGAINST THE HIP GIRDER AS A NAILER FOR THE 2x4's ON FLAT.



REDUCED HIP PLACEMENT DETAIL

NOT TO SCALE

epic truss systems ltd.

890 RIVERSIDE ROAD
ABBOTSFORD, BC V2S 7P6
Phone: (604) 850-3522
Fax: (604) 850-3533



epic truss squamish ltd.

1126 RESOLUTION WAY
SQUAMISH, BC V8B 0L3
Phone: (604) 892-3700
Fax: (604) 892-3715

Website: www.epictruss.com